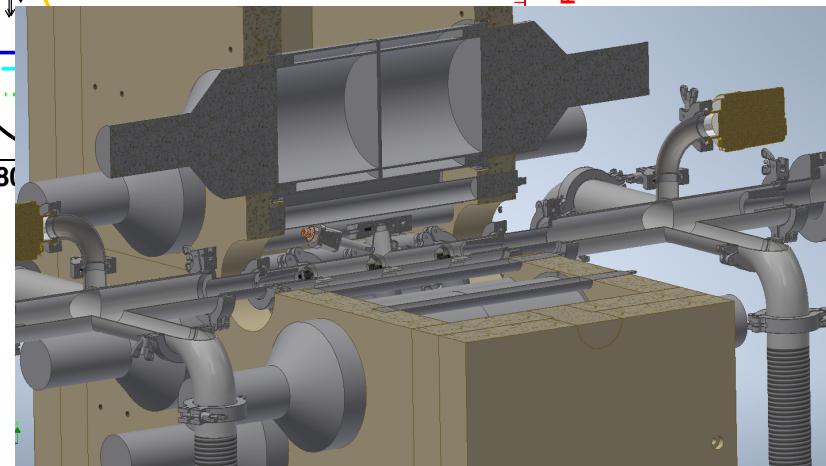
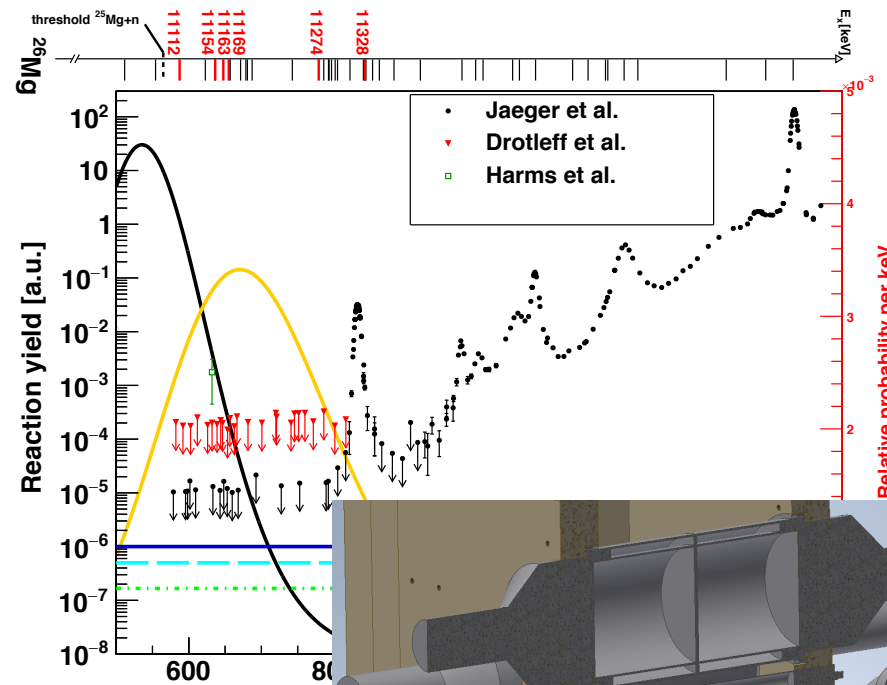
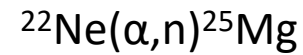
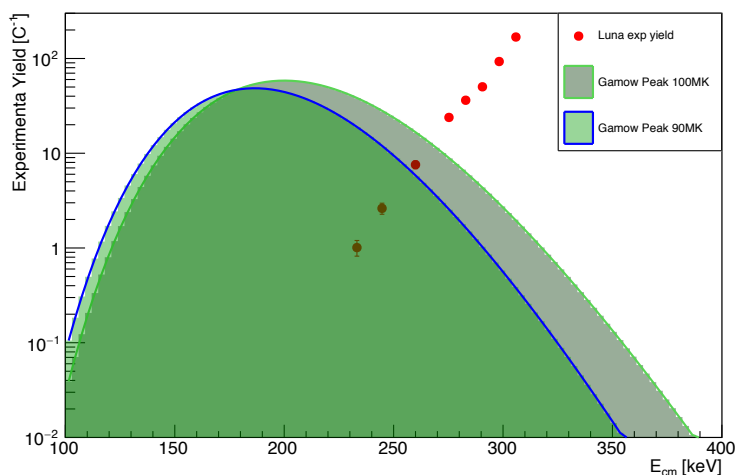
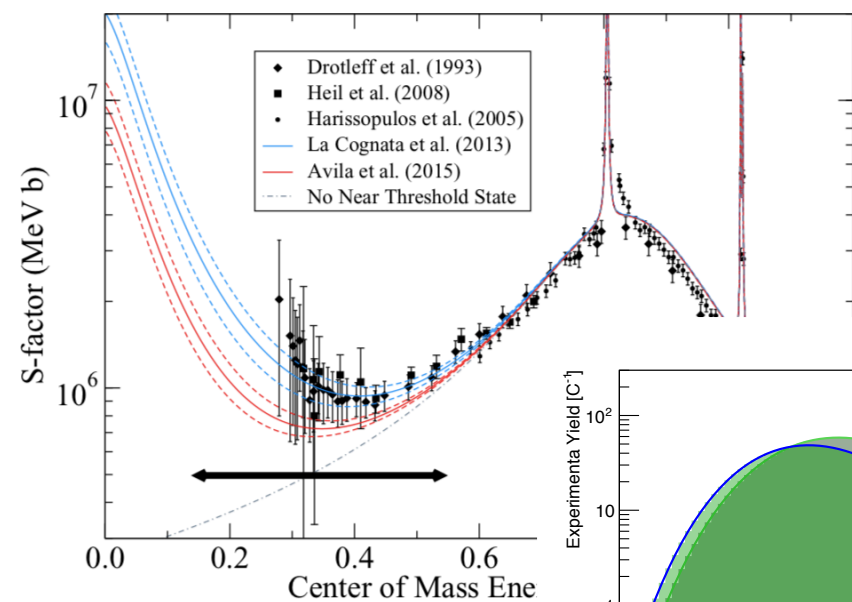


Measurements of s process neutron sources



- Near-threshold state plays major role
- ANC measurements, THM, R matrix <- more needed
- Direct data so far limited by background
- Absolute normalization unclear



Contribution of low-E states unknown
 Indirect measurements (n_{tof} , E_x , J^π , THM?)

- Direct study being prepared for MV accelerator at LNGS